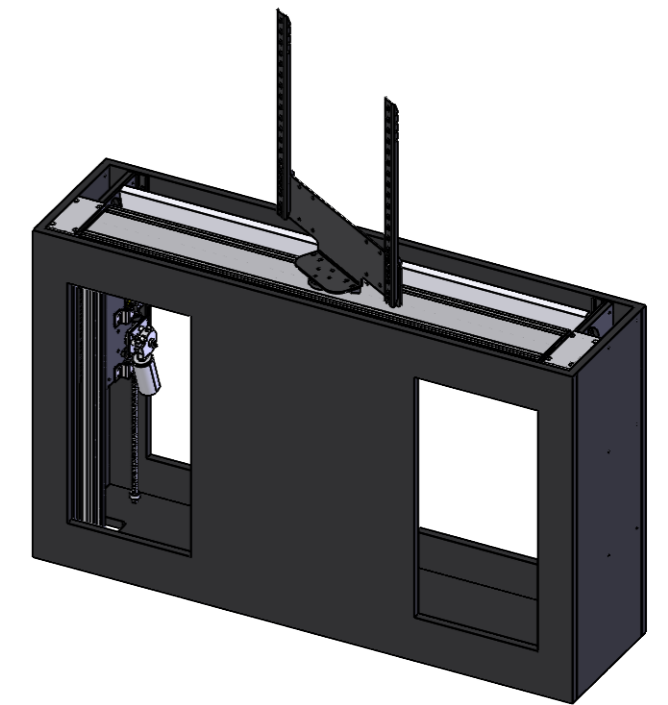
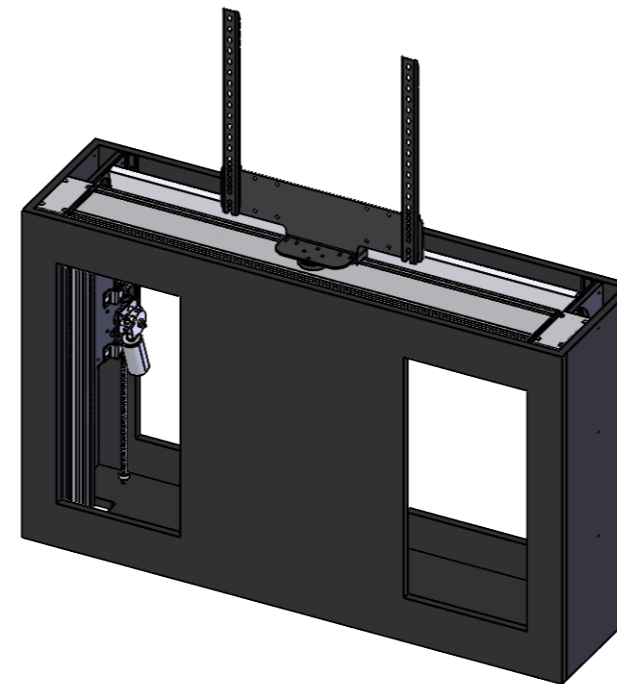
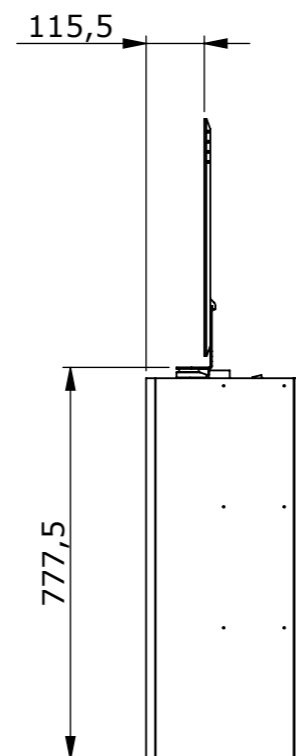
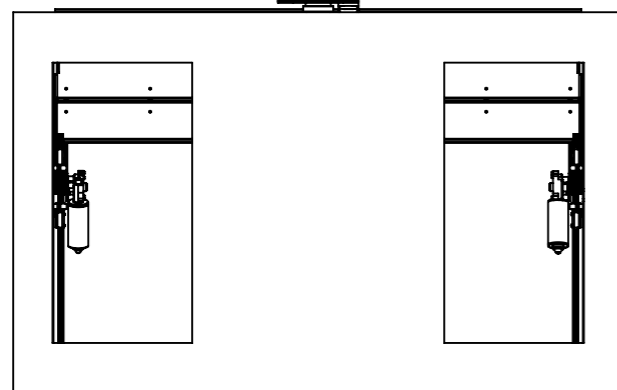
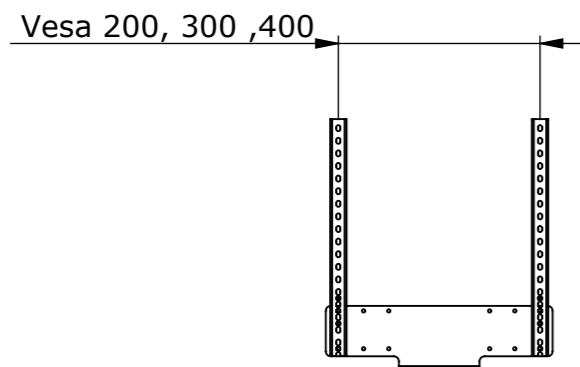
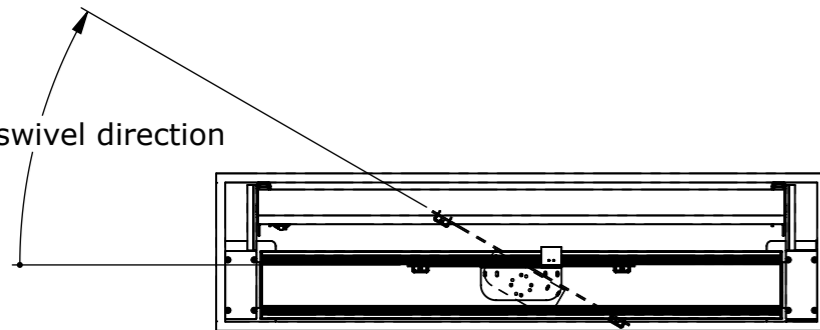

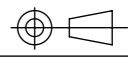
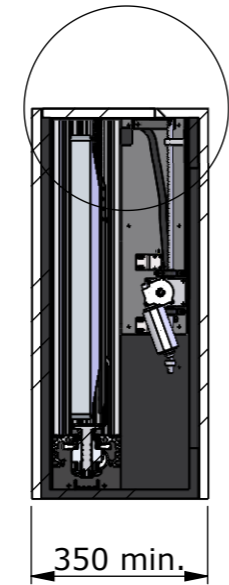
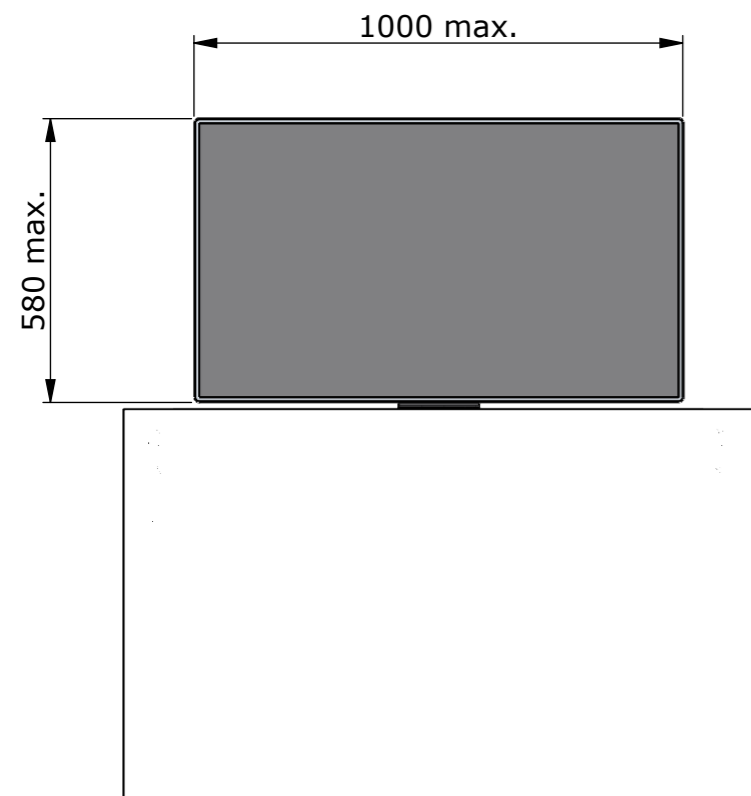
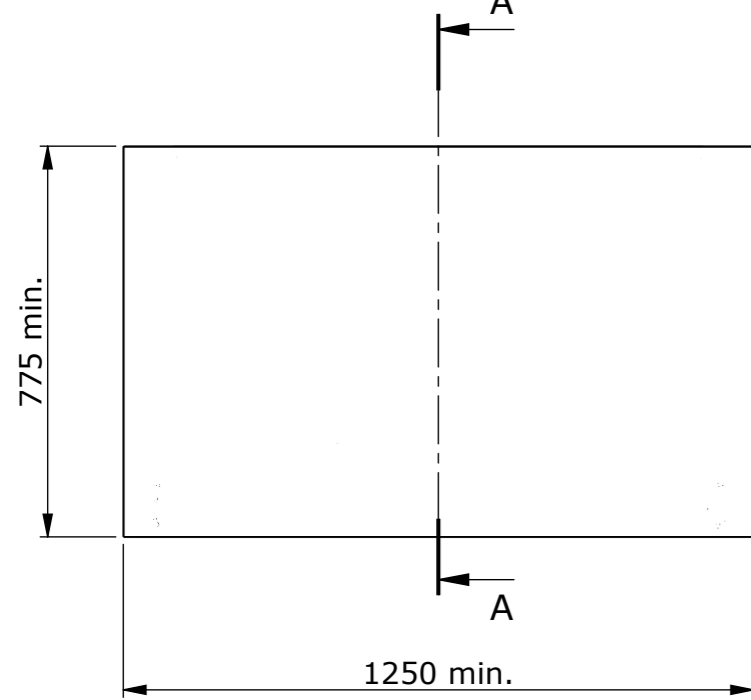
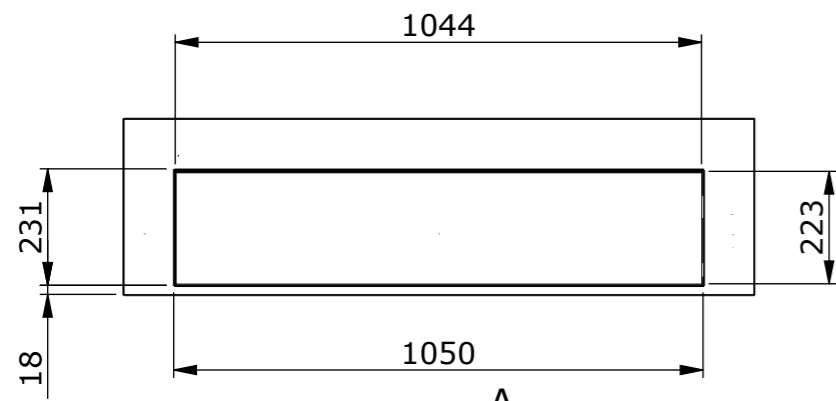


Standard swivel direction

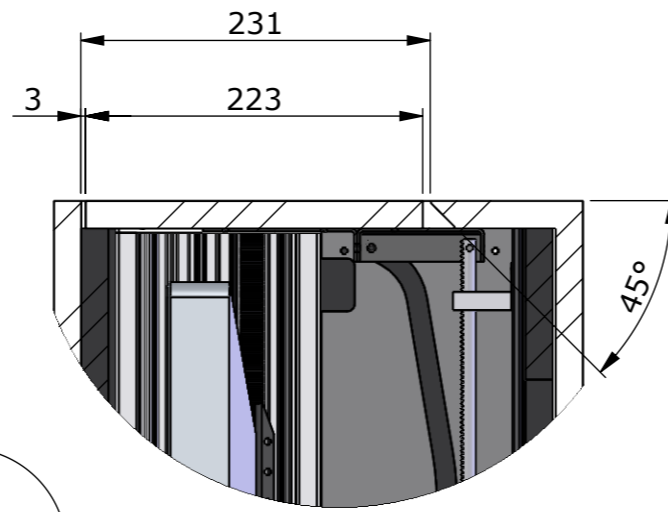


Please note that specifications may be subject to change

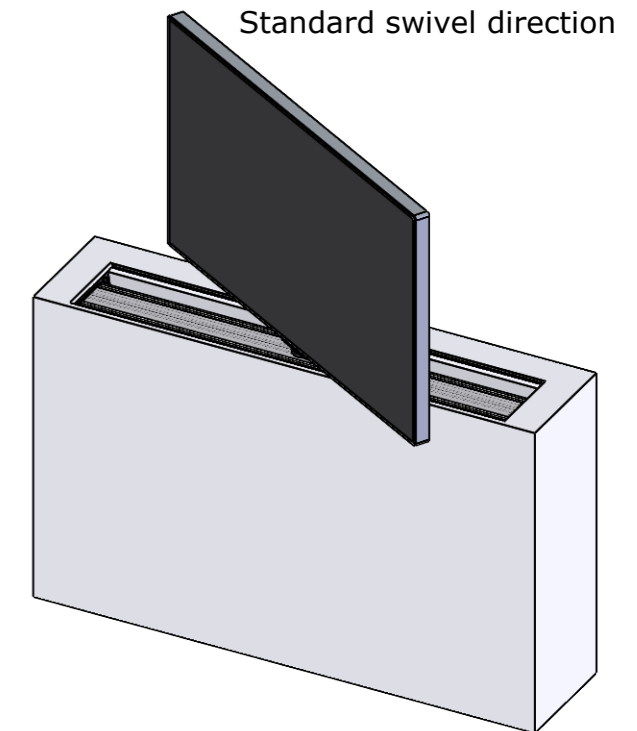
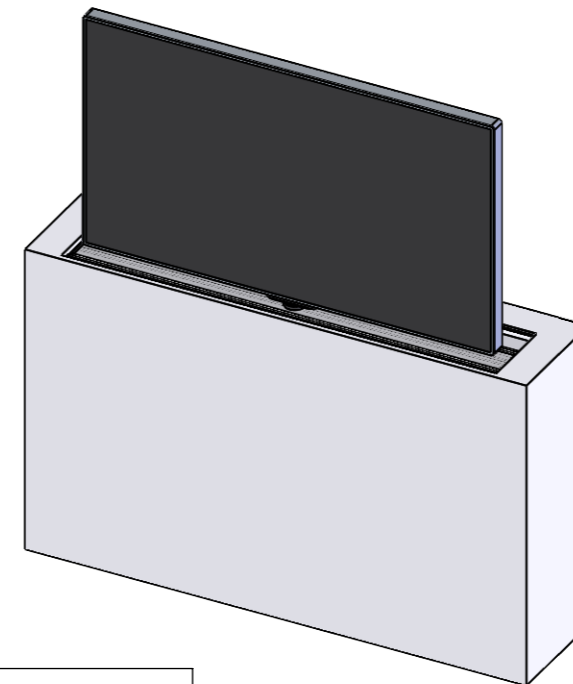
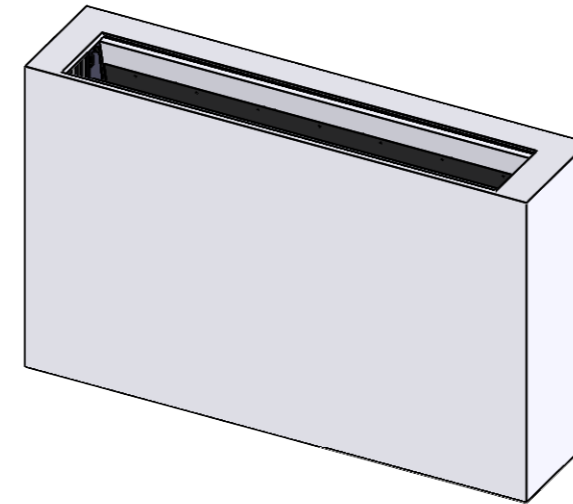
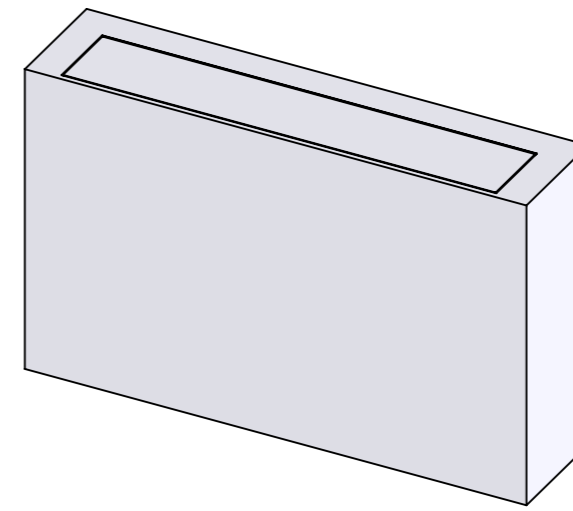
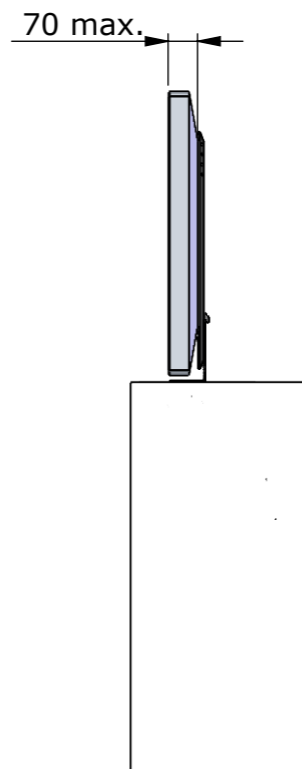
Drawing no.: T008-1043-002A		Description : T008-43	
		Date : 19-06-2023	 Scale : 1:15
		Drawn : JS	
		Unless otherwise specified dimensions in millimeters	



SECTION A-A



DETAIL B
SCALE 1 : 5

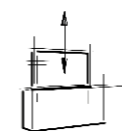


Example build in housing

Please note that specifications may be subject to change

Drawing no.: T008-1049-002A

Description : T008-43



TVLIFTBOY

Date : 17-06-2023

Drawn : JS



Scale : 1:15

Unless otherwise specified dimensions in millimeters

Page : 2/2